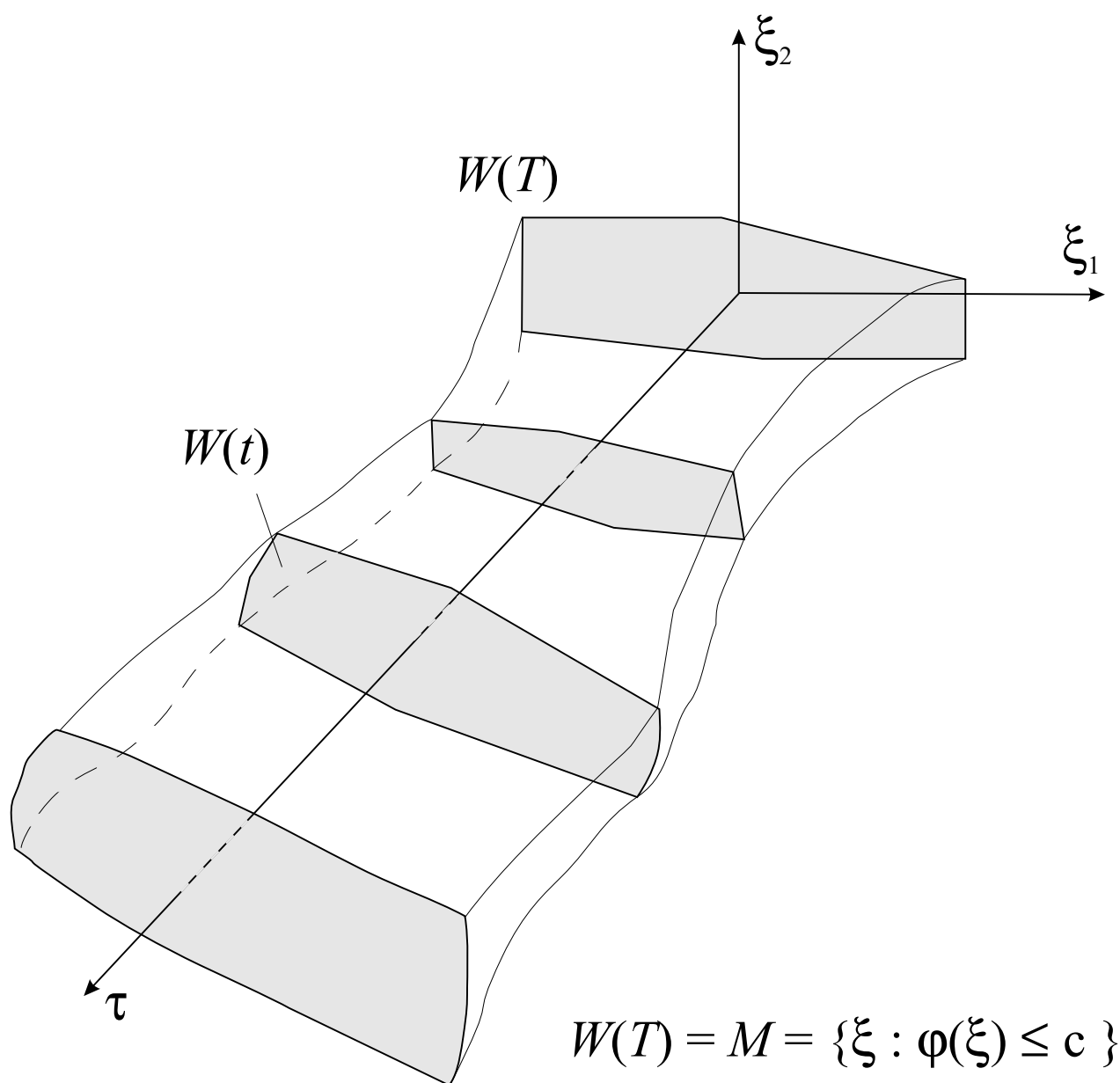


## SKETCH OF A LEVEL SET



$$W(T) = M = \{ \xi : \varphi(\xi) \leq c \}$$